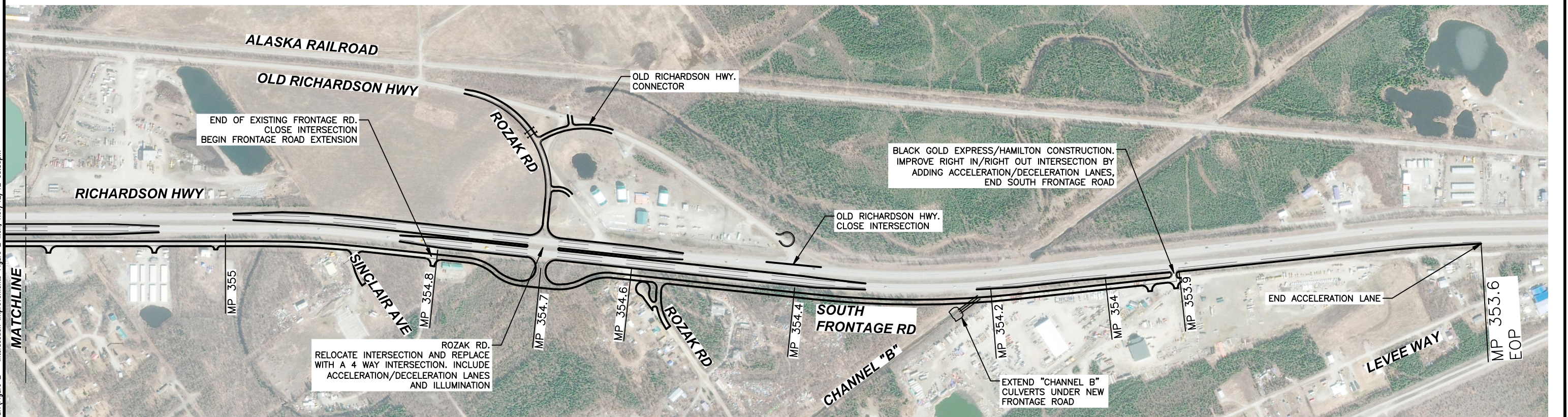
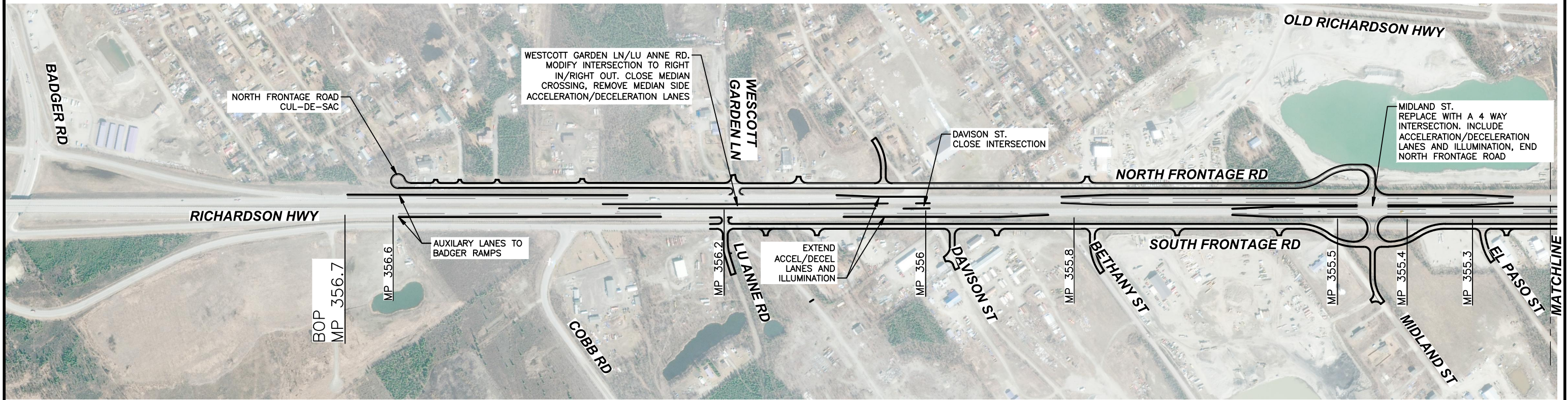
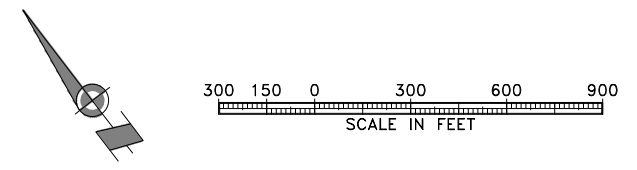


STATE	PROJECT DESIGNATION	YEAR	SHEET NO.	TOTAL SHEETS
ALASKA	IM-HR0-0A24(19)/66148	2012	1	1

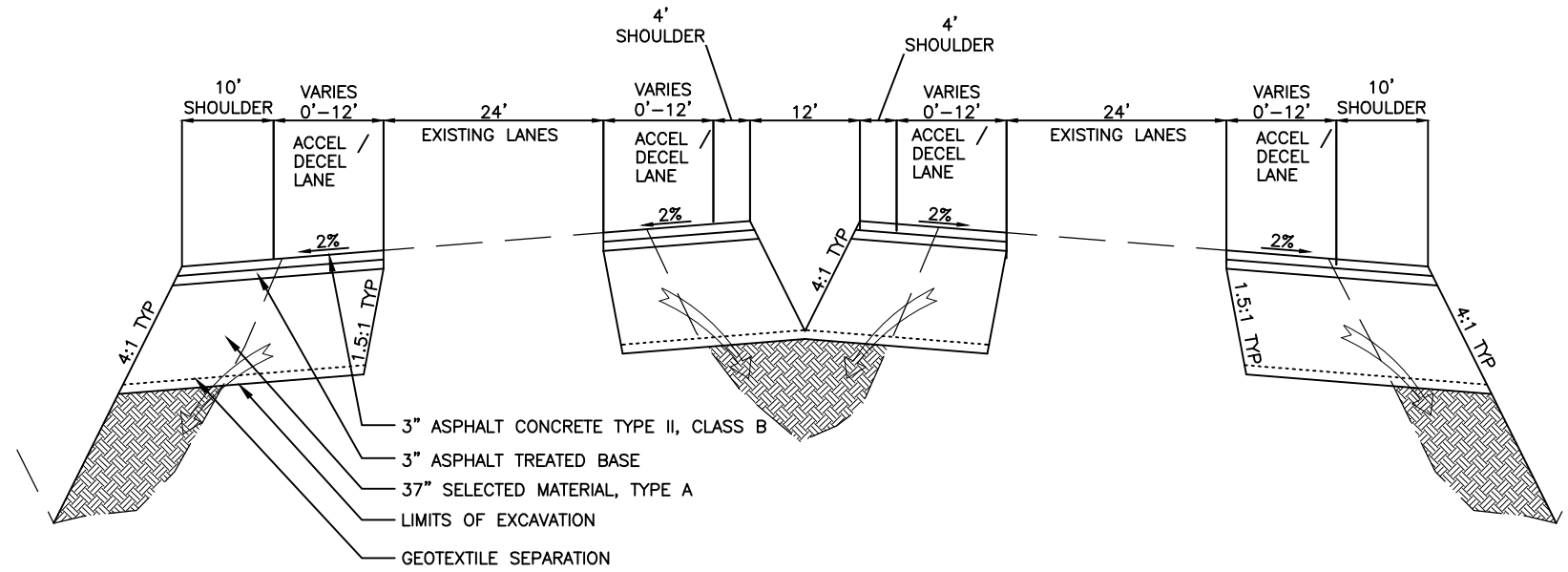


P:\2012\2009FB\50prints\50prints\Figure 2 - Intersection Improvements-Figure 2 Mon, Nov/12/12 05:50pm

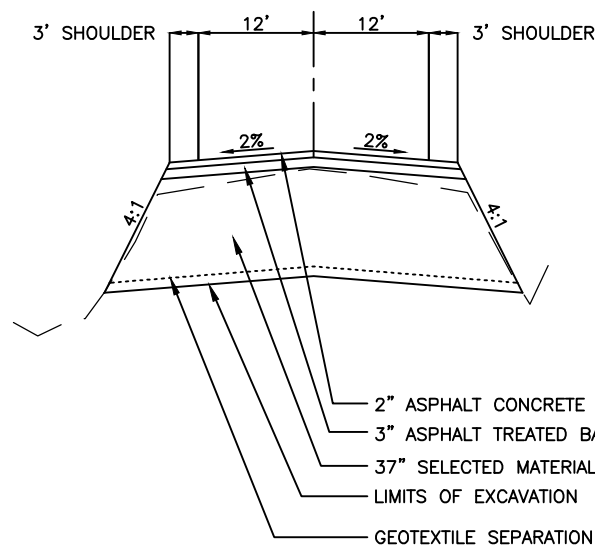


**FIGURE 2
PROPOSED IMPROVEMENTS**

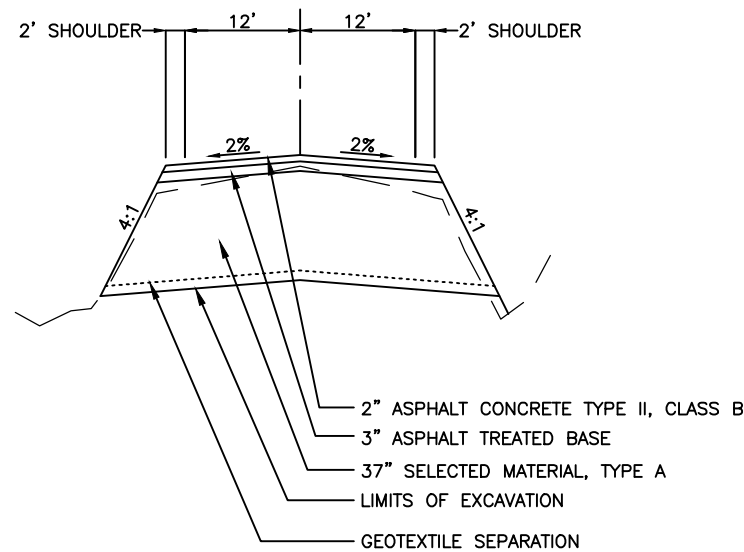
STATE	PROJECT DESIGNATION	YEAR	SHEET NO.	TOTAL SHEETS
ALASKA	IM-HR0-0A24(19)/66148	2012	1	1



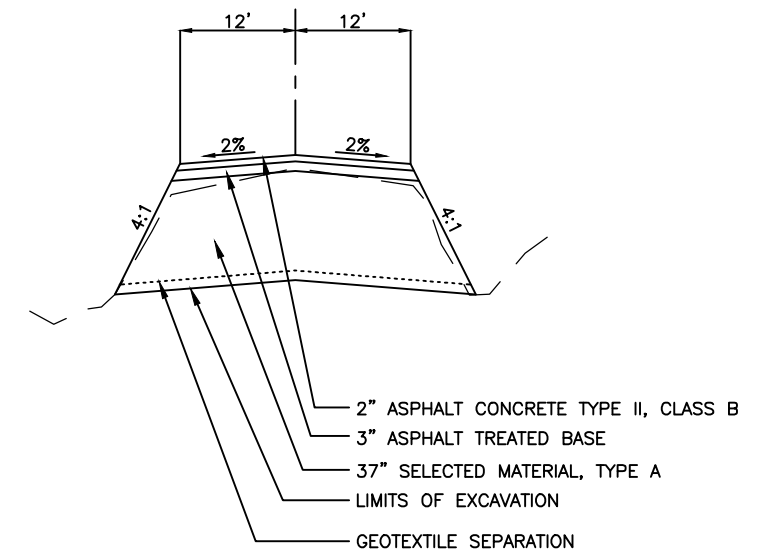
**RICHARDSON HIGHWAY AT
ACCELERATION / DECELERATION LANES**



**NORTH & SOUTH FRONTAGE
ROAD AND ROZAK ROAD**



STREETS



OLD RICHARDSON HIGHWAY CONNECTOR

FIGURE 5
TYPICAL SECTIONS