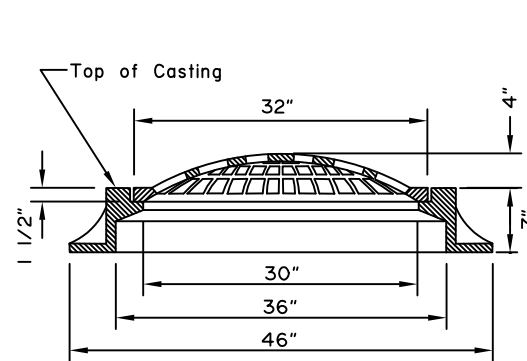
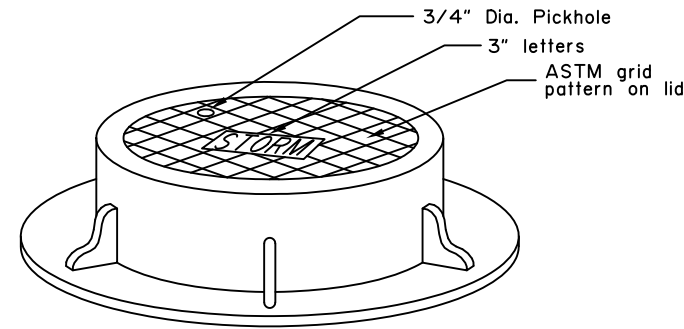


Surround field inlets with a 24" wide rock rubble collar 10" deep, 3" maximum size rock.



FIELD INLET FRAME & GRATE

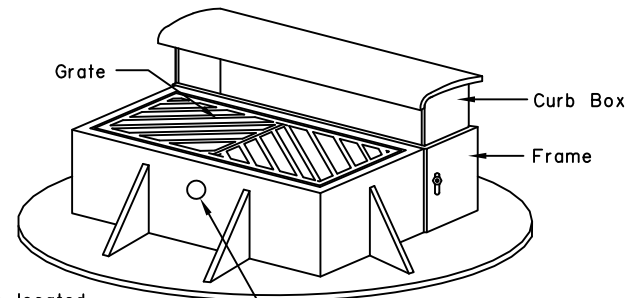
To be supplied for storm drain manholes where field inlets are specified. Field inlet frame and grate shall have a Minimum total weight of 525 lb.



MANHOLE LID FRAME AND GRATE

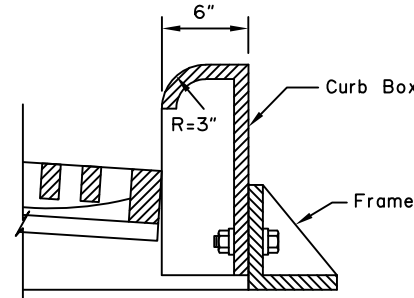
NOTES:

- Details shown are to indicate general design only. Dimensions and design may vary among the manufacturers, except that inlet grate shall be within $\frac{1}{4}$ "± of dimensions shown on this drawing.
- Manhole lids shall be 32" in diameter and may be used with field inlet frames.
- Type A field inlet frame inside dimensions shall be 24" x 36". Lugs will not protrude outside the concrete surface of the inlet box.
- Grates shall be bicycle safe. Where high capacity grates are called for on the plans, they shall conform to Std. Dwg. D-25.
- Frame and grate casting types are identified by the following abbreviations:
C.I. = Curb Inlet
F.I. = Field Inlet
M.H. = Manhole
- Flowline depression shall conform to Std. Dwg. D-23 for an on grade or sag point conditions.
- These are the default frames and grates to be used unless shown otherwise on the drainage plans or drainage structure summary.



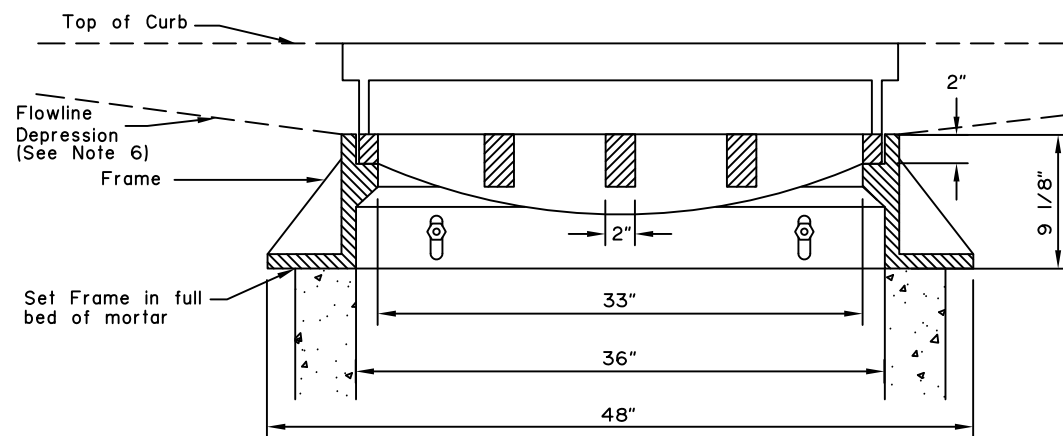
Pickhole located 3" from the top of frame

NOTE: Curb Box, Grate and frame shall have a minimum total weight of 725 lb.



SIDE VIEW MOUNTABLE CURB AND GUTTER

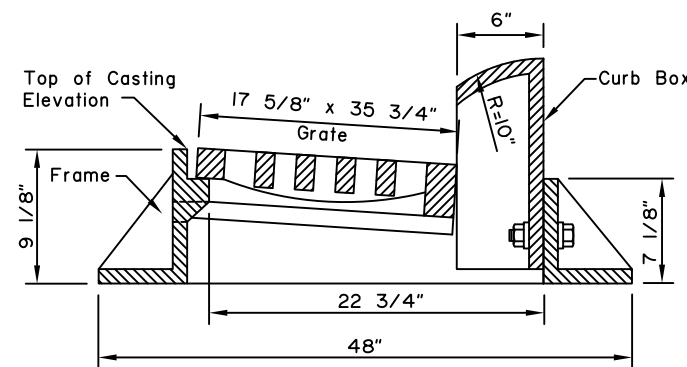
REQUIRED FRAME AND GRATES (See Note 7)			
STRUCTURE	INLET TYPE	CURB TYPE	TYPE FRAME AND GRATE
INLET BOX, TYPE A	Curb	Mountable	Standard Curb Inlet
	Curb	Expressway	Mountable Curb Inlet
	Curb	Rolled Curb	Depressed Inlet
	Field	-----	Field Inlet
STORM DRAIN MANHOLES, TYPE I, II AND III	Curb	Mountable	Mountable Curb Inlet
	Curb	Expressway	Expressway Curb Inlet
	Curb	Rolled Curb	Depressed Inlet
	Field	-----	Field Inlet
	Manhole Lids	-----	Field Inlet Frame, Solid MH. Lid



FRONT VIEW

CURB INLET FRAME AND GRATE

To be supplied for storm drain manholes Type I, Type II and Type III where curb inlets are specified.



SIDE VIEW EXPRESSWAY CURB AND GUTTER

NOT TO SCALE

State of Alaska DOT&PF
ALASKA STANDARD PLAN
STORMDRAIN MANHOLE
FRAME AND GRATE
DETAILS

Adopted as an Alaska Standard Plan by: *Kenneth J. Fisher*
Kenneth J. Fisher, P.E.
Chief Engineer

Adoption Date: 02/08/2019

Last Code and Stds. Review By: Date:
Next Code and Standards Review date: 02/08/2029