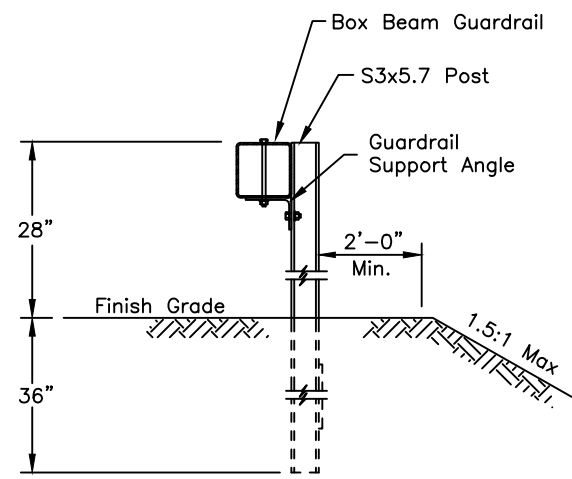
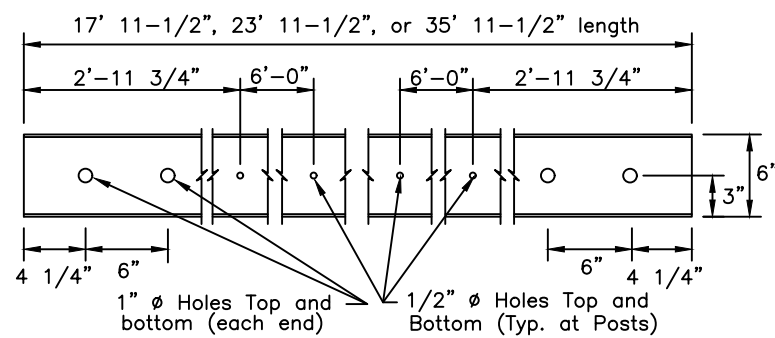
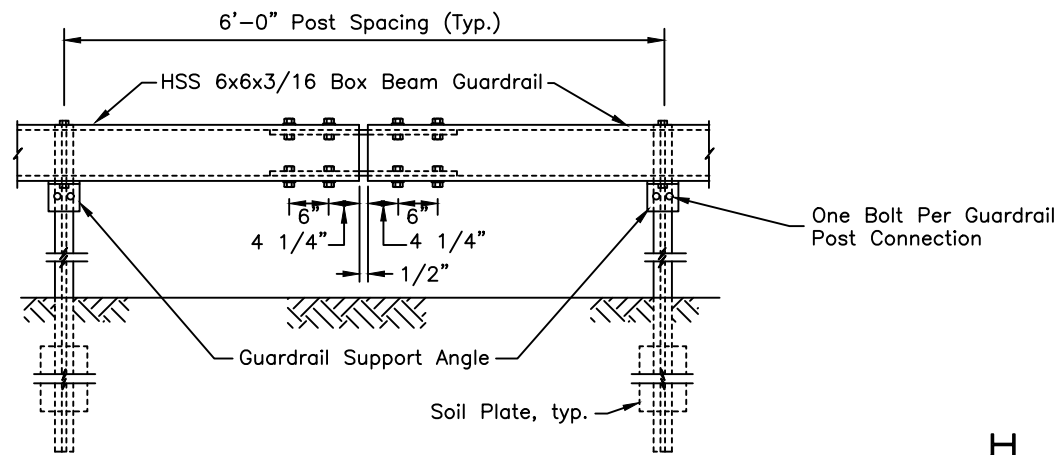


CONSTRUCTION NOTES:

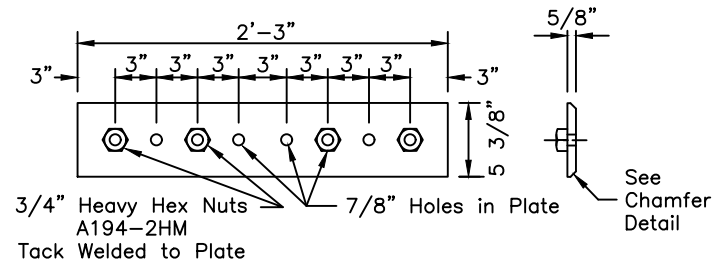
1. No fixed objects allowed within 60" of the back of the guardrail post.
2. Shop form guardrail on curves with a radius of less than 717'.
3. Splice plate connections shall meet ASTM F3125, Grade A325 for bolts and A563, Grade A for hex nuts.
4. HSS Steel Tube box beam rail elements shall meet ASTM A500 Grade B.
5. Provide guardrail reflectors conforming to Standard Plan G-00 and Section 606 of the Standard Specifications.
6. Mount guardrail reflectors every 48' on tangents and 24' on curves. Start reflector installation on the first post. Use Type A reflectors unless shown otherwise on the plans.
7. Do not galvanize contact surfaces between the splice plate and the interior HSS tube surface.



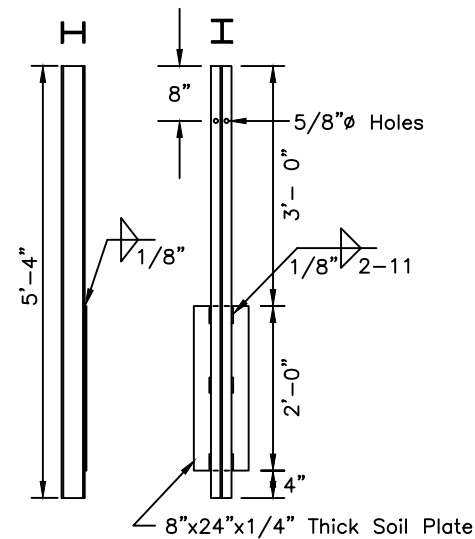
POST INSTALLATION



HSS 6x6 x 3/16 BOX BEAM GUARDRAIL

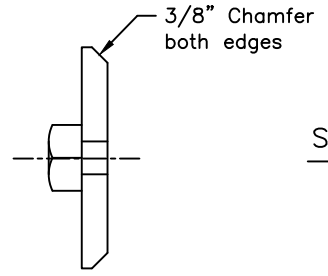


SPLICE PLATE

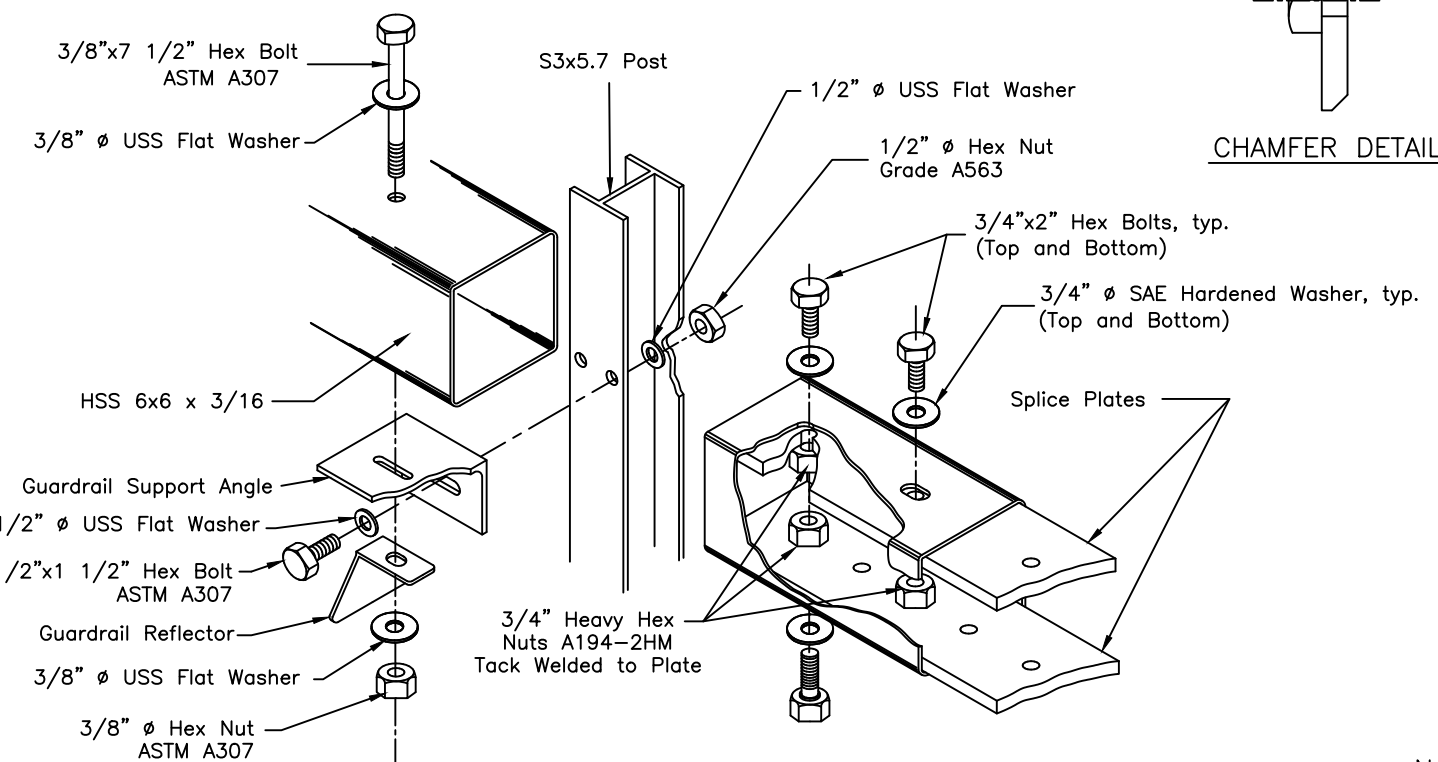


S3x5.7 BOX BEAM GUARDRAIL POST

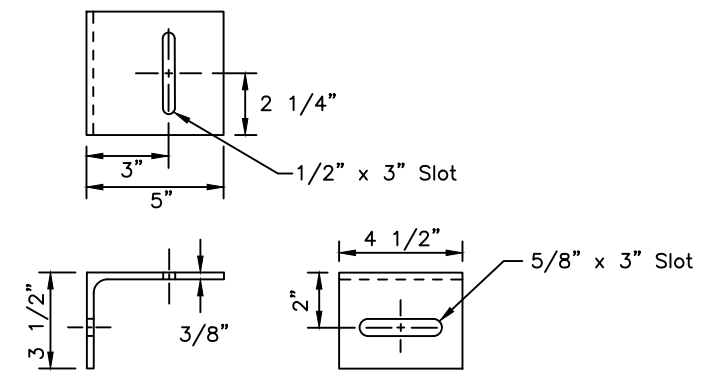
ASTM A992 Post, ASTM A36 Plate



CHAMFER DETAIL



ASSEMBLY DETAIL



GUARDRAIL SUPPORT ANGLE

L 5 x 3.5 x 3/8 - ASTM A36

Note: Drawing not to scale

State of Alaska DOT&PF
ALASKA STANDARD PLAN

MASH BOX BEAM GUARDRAIL

Adopted as an Alaska Standard Plan by: *Carolyn Morehouse*
Carolyn Morehouse, P.E.
Chief Engineer

Adoption Date: 07/30/2021

Last Code and Stds. Review
By: LRG Date: 07/30/2021

Next Code and Standards Review date: 7/30/2021

G-04.00